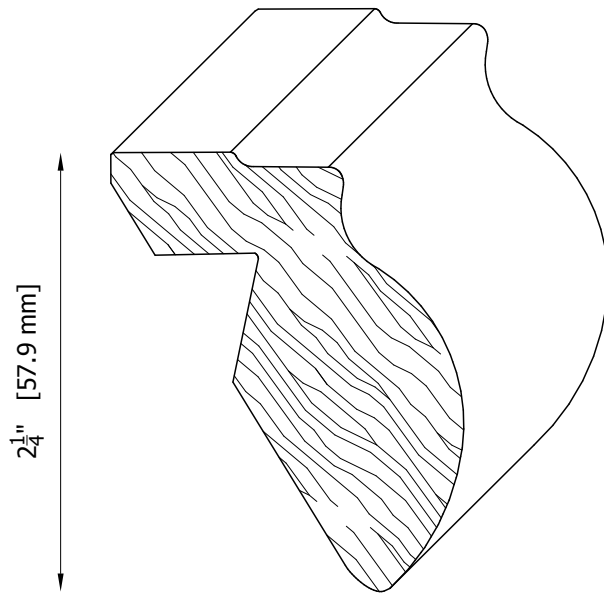


CHATEAU UNDERVALANCE MOULDING PATTERNS

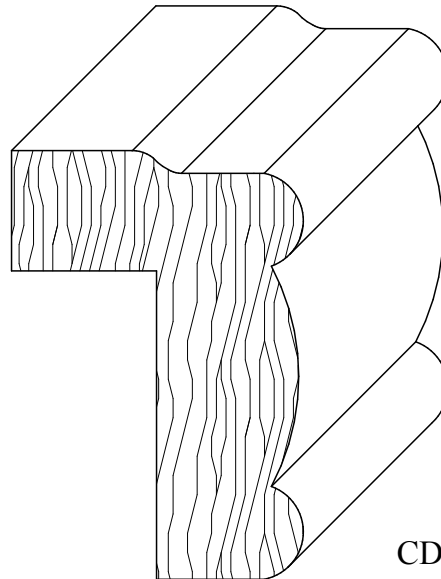


2 $\frac{1}{4}$ " [57.9 mm]

1 $\frac{13}{16}$ " [46.6 mm]

CDU 102

W: 2 $\frac{11}{16}$ " [68.0 mm]
T: 1 $\frac{1}{16}$ " [26.67 mm]

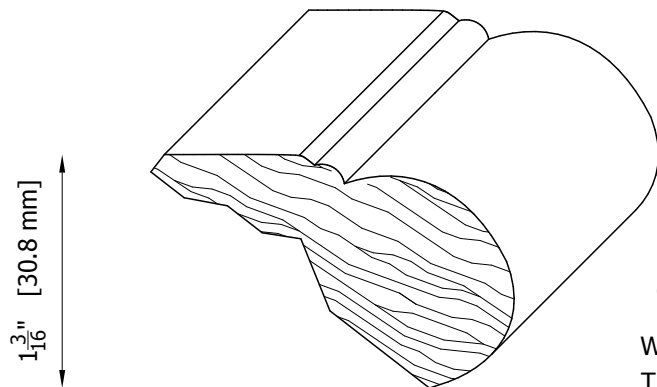


2 $\frac{1}{4}$ " [56.6 mm]

1 $\frac{1}{2}$ " [38.5 mm]

CDU 107

W: 2 $\frac{1}{4}$ " [56.56 mm]
T: 1 $\frac{1}{2}$ " [38.50 mm]



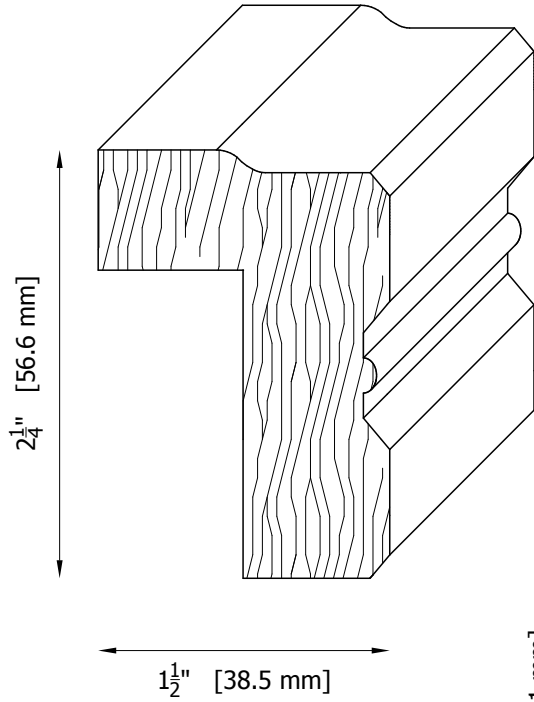
1 $\frac{3}{16}$ " [30.8 mm]

1 $\frac{7}{8}$ " [47.9 mm]

CDU 192

W: 2" [50.80 mm]
T: $\frac{7}{8}$ " [22.22 mm]

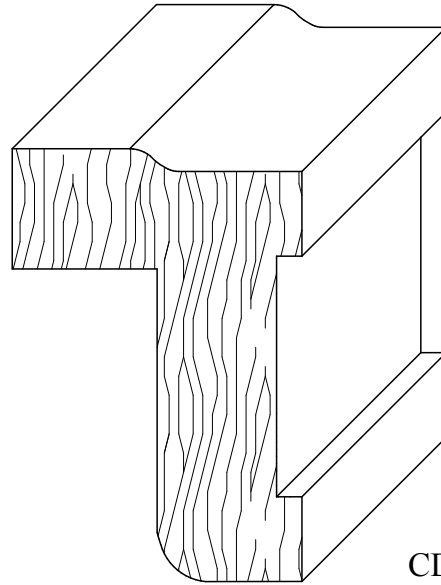
CHATEAU UNDERVALANCE MOULDING PATTERNS



CDU 126

W: $2 \frac{1}{4}$ " [56.6 mm]

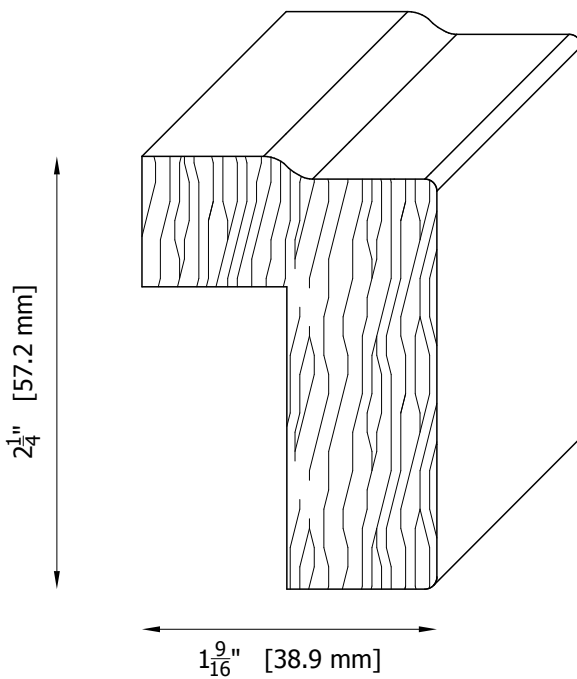
T: $1 \frac{1}{2}$ " [38.5 mm]



CDU 187

W: $2 \frac{1}{4}$ " [57.14 mm]

T: $1 \frac{1}{2}$ " [38.18 mm]

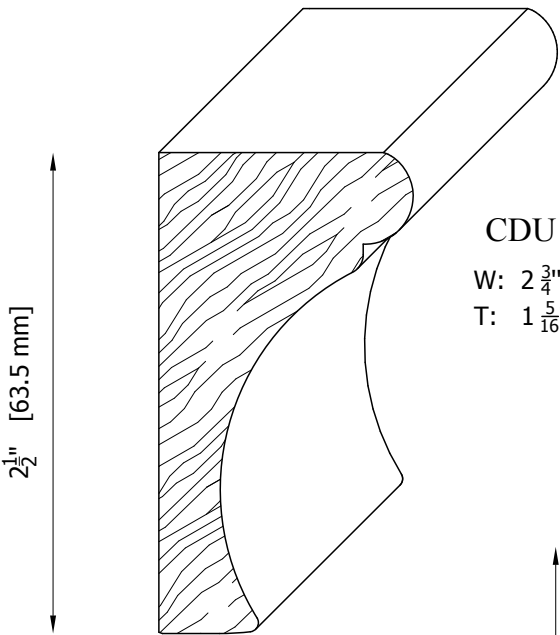


CDU 130

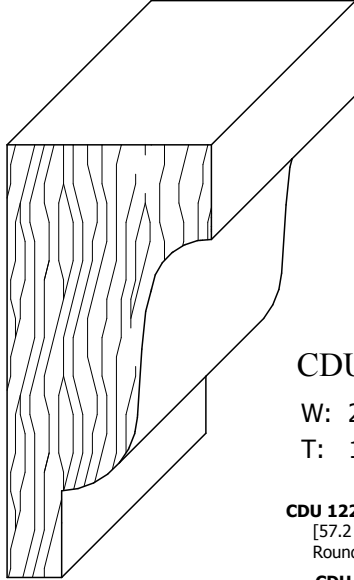
W: $2 \frac{1}{4}$ " [57.15 mm]

T: $1 \frac{9}{16}$ " [38.95 mm]

CHATEAU UNDERVALANCE MOULDING PATTERNS

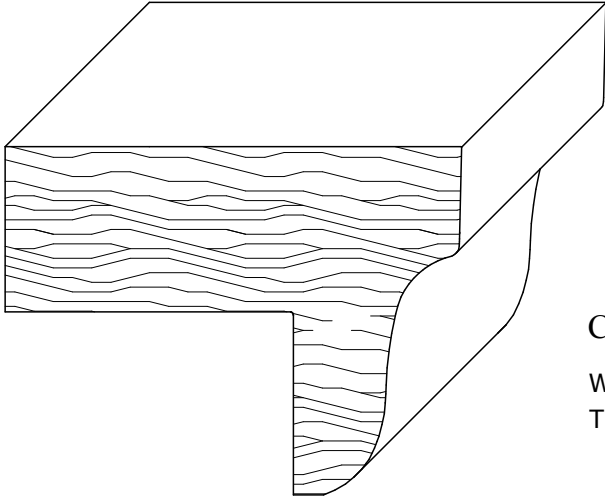


CDU 139
 W: $2 \frac{3}{4}$ " [69.7 mm]
 T: $1 \frac{5}{16}$ " [33.9 mm]



CDU 122
 W: $2 \frac{1}{4}$ " [57.2 mm]
 T: $1 \frac{1}{16}$ " [27.0 mm]

CDU 122-A W: $2 \frac{1}{4}$ " x $1 \frac{1}{16}$ "
 [57.2 x 27.0 mm]
 Round Shoulder
CDU 194 W: $1 \frac{15}{16}$ " x $\frac{13}{16}$ "
 [48.8 x 26.6 mm]



CDU 106
 W: $2 \frac{3}{8}$ " [60.30 mm]
 T: $1 \frac{3}{4}$ " [46.00 mm]