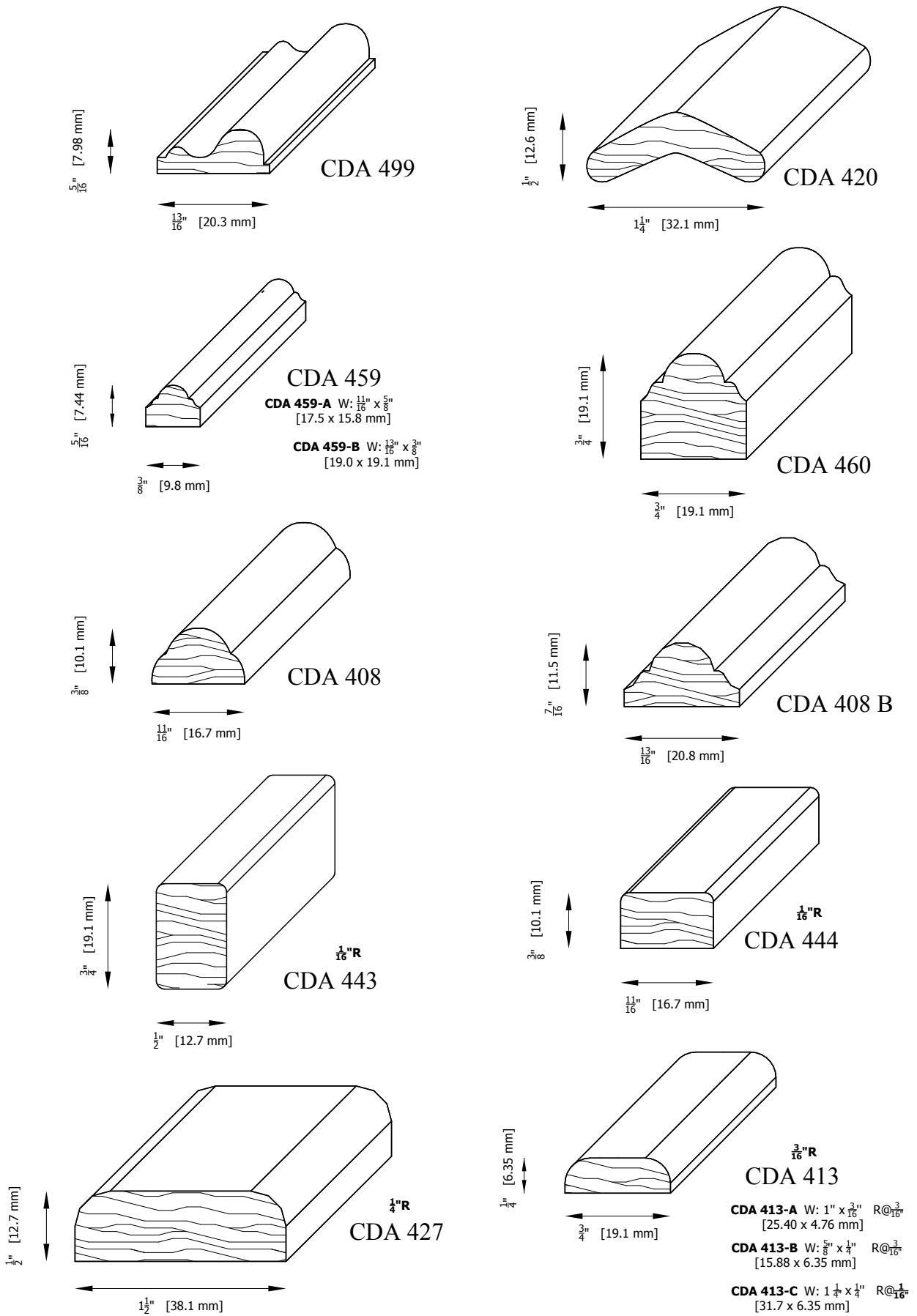
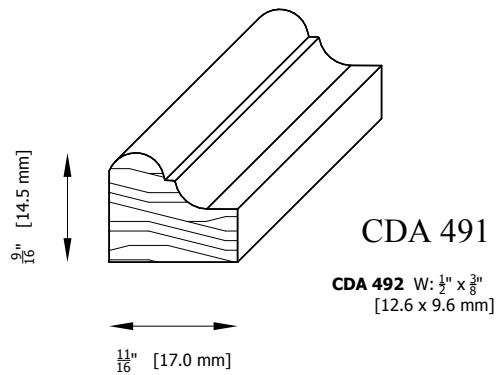
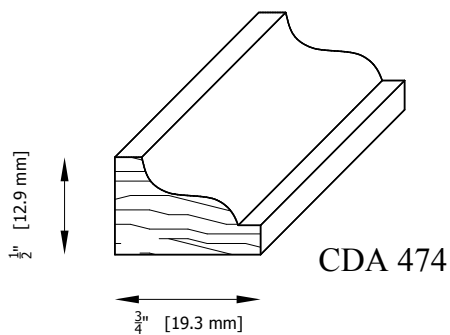
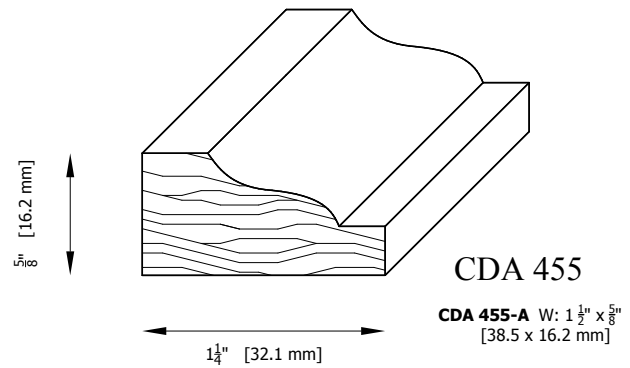
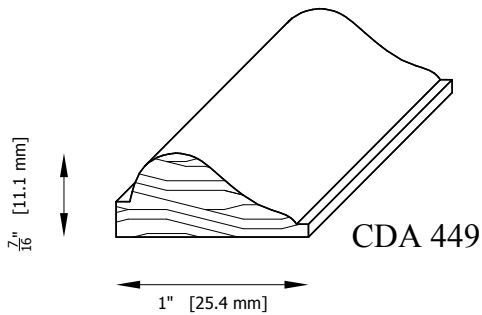
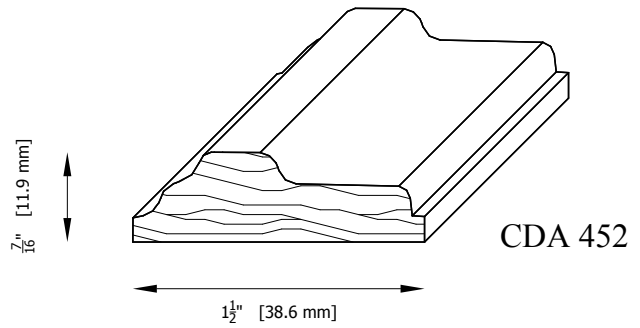
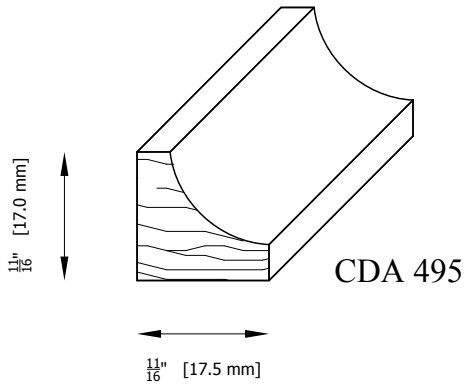
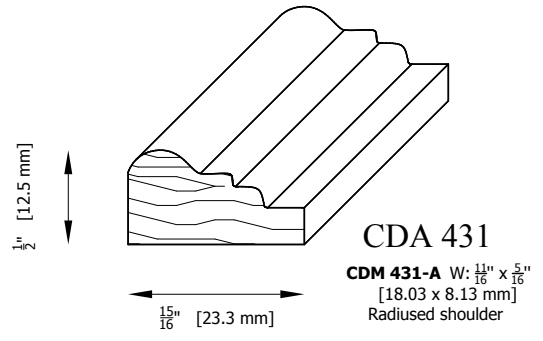
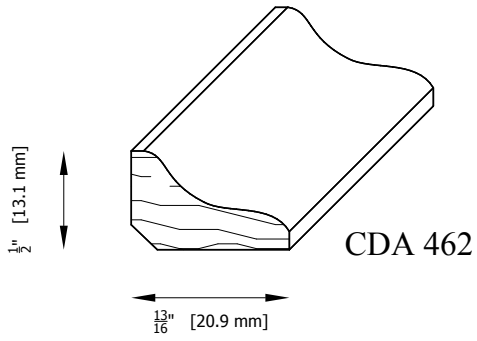


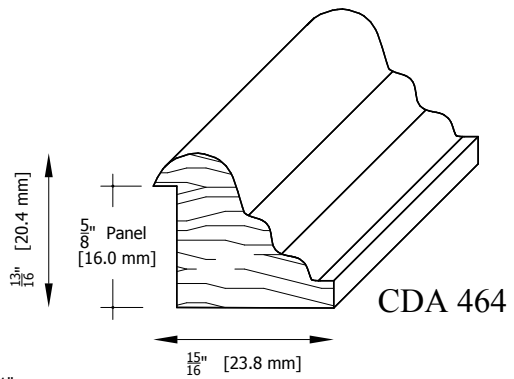
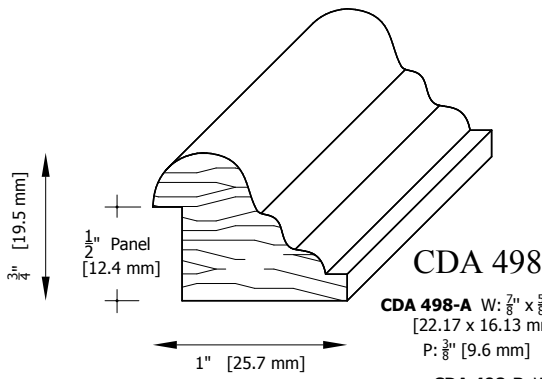
CHATEAU CAPS MOULDING PATTERNS



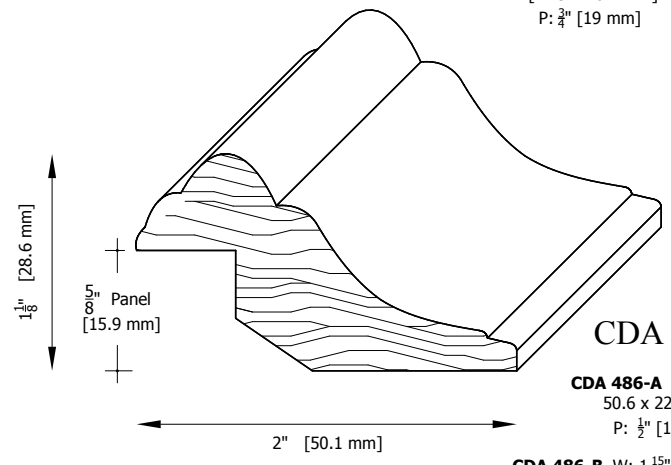
CHATEAU CAPS MOULDING PATTERNS



CHATEAU CAPS MOULDING PATTERNS

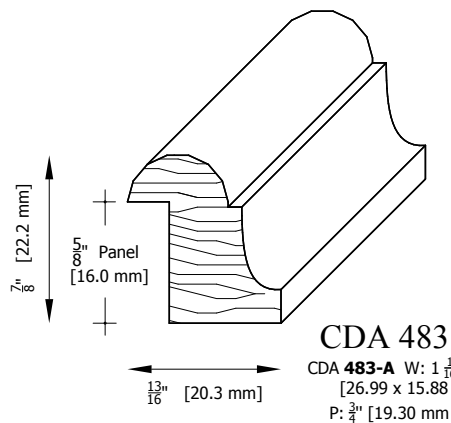
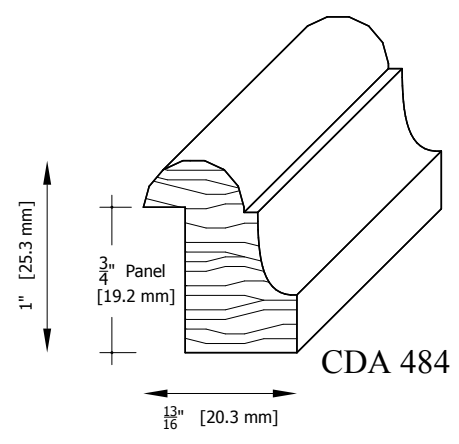


CDA 498-B W: $1\frac{1}{8}$ " x 1"
 [27.9 x 26.1 mm]
 P: $\frac{3}{4}$ " [19 mm]

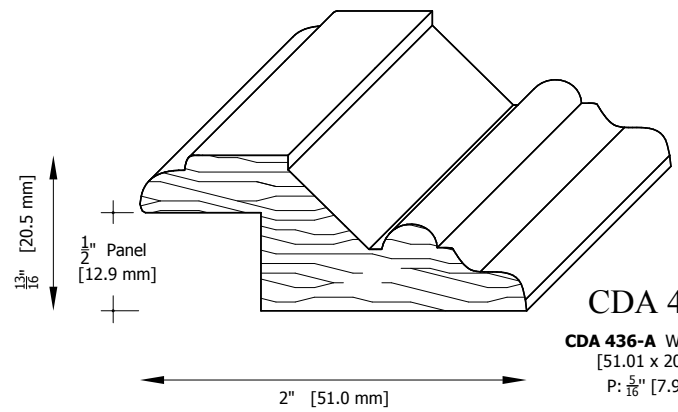


CDA 486-A W: 2 " x $\frac{7}{8}$ "
 50.6 x 22.3 mm
 P: $\frac{1}{2}$ " [12.7 mm]

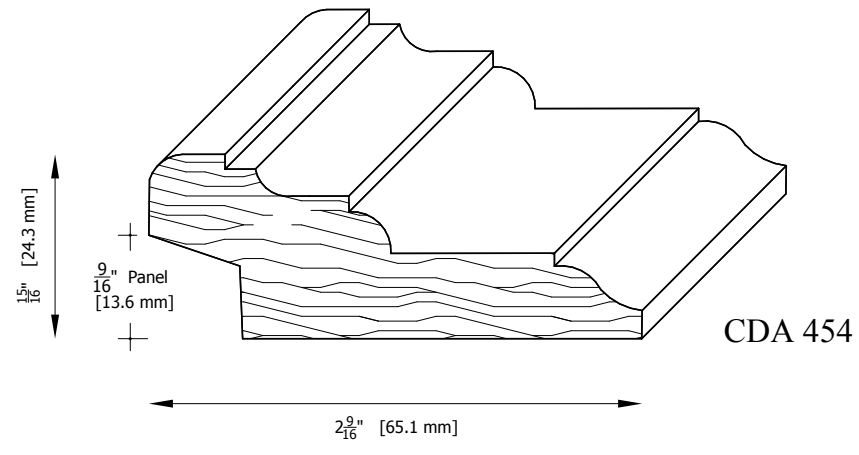
CDA 486-B W: $1\frac{15}{16}$ " x $1\frac{3}{16}$ "
 48.8 x 30.9 mm
 P: $\frac{3}{4}$ " [12.7 mm]



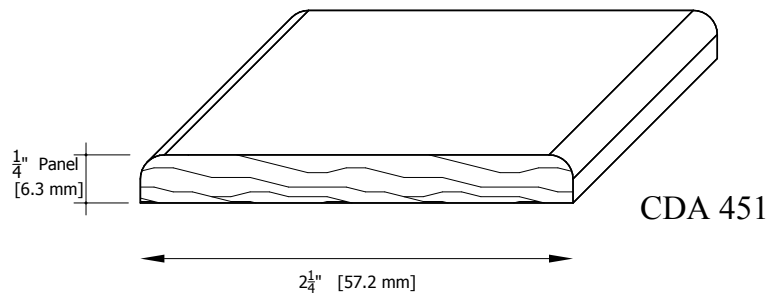
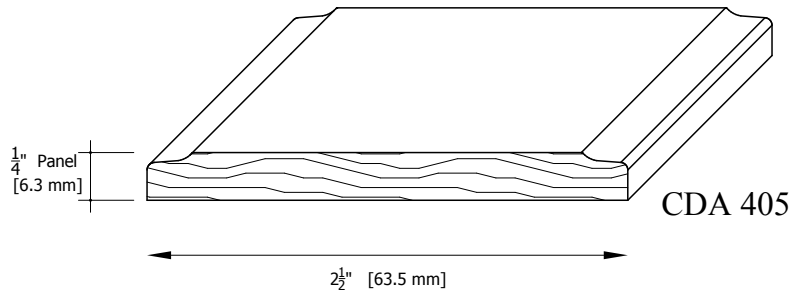
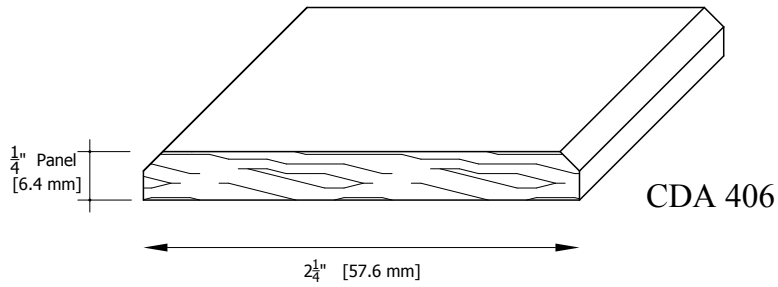
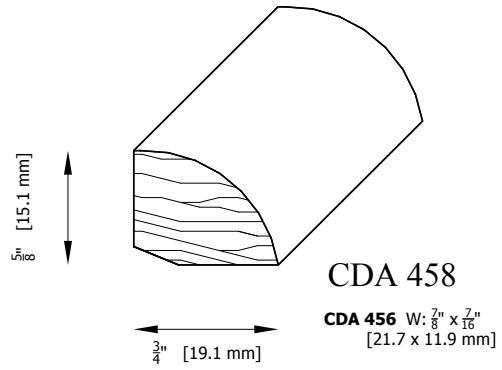
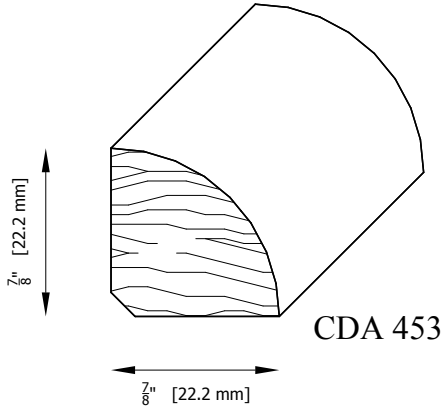
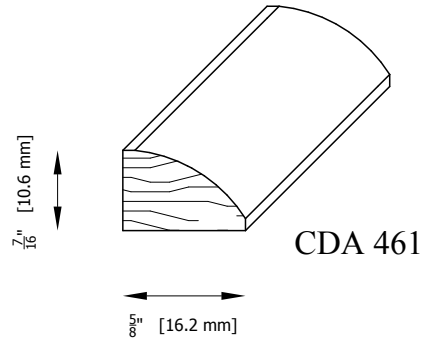
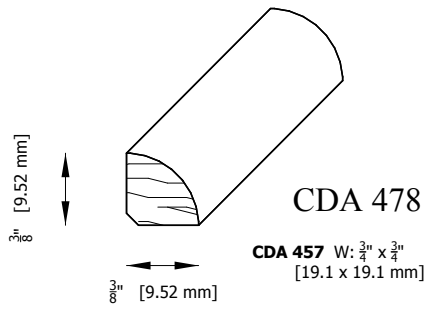
CDA 483-A W: $1\frac{1}{16}$ " x $\frac{5}{8}$ "
 [26.99 x 15.88 mm]
 P: $\frac{3}{4}$ " [19.30 mm mm]



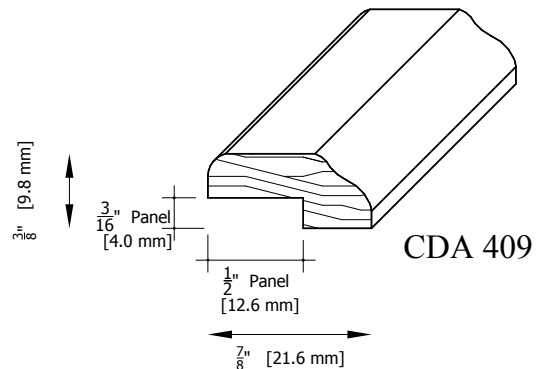
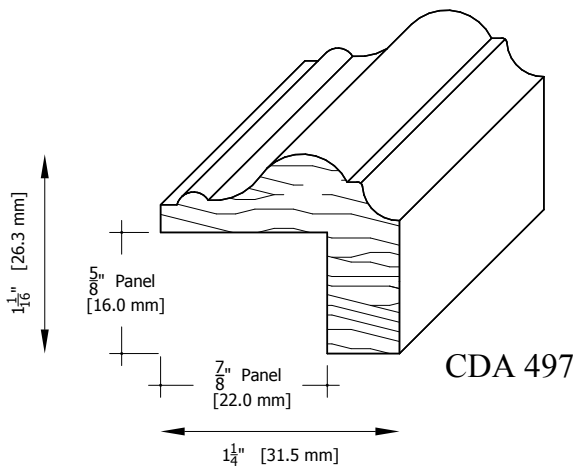
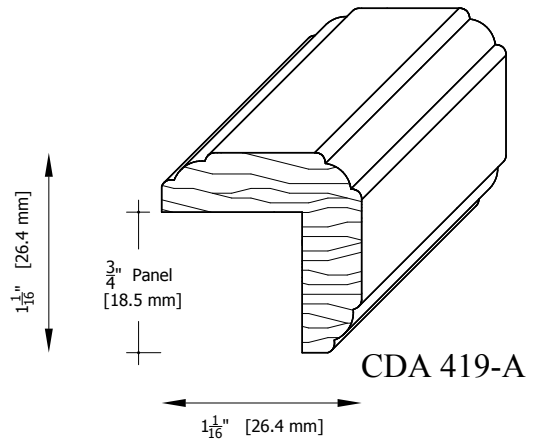
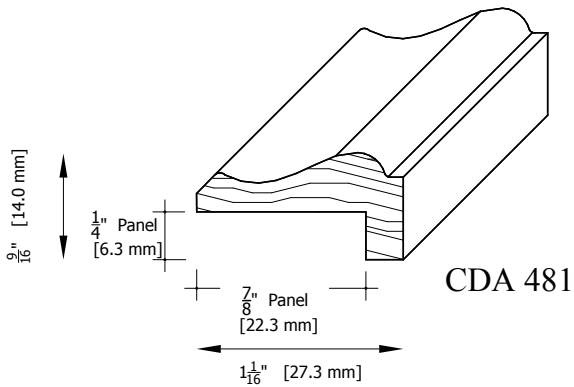
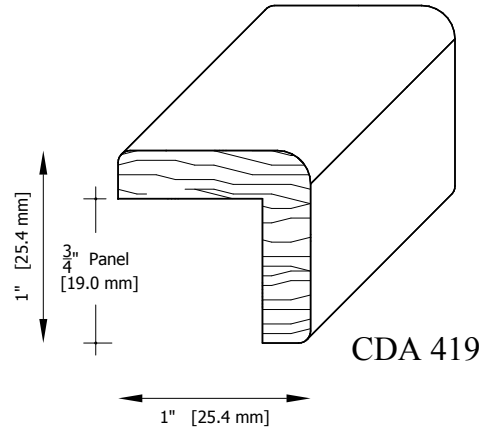
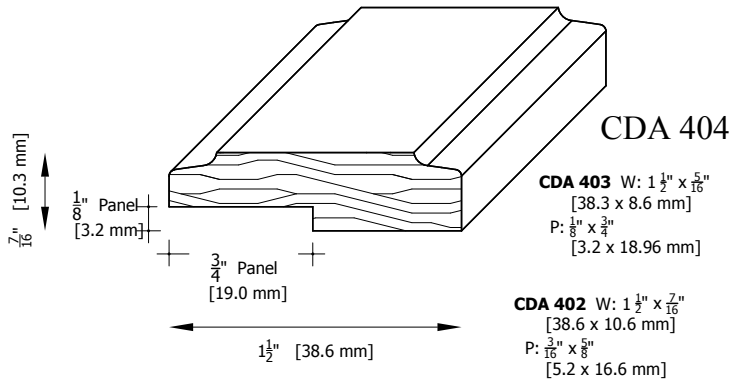
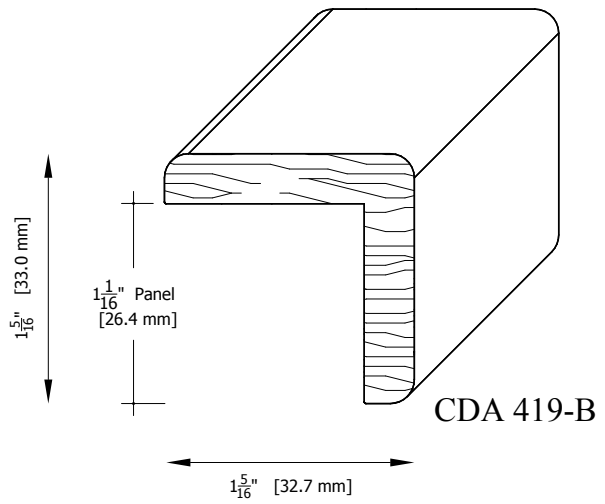
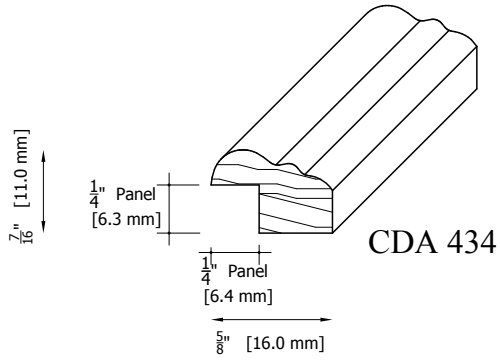
CDA 436-A W: 2 " x $\frac{13}{16}$ "
 [51.01 x 20.50 mm]
 P: $\frac{5}{16}$ " [7.94 mm]



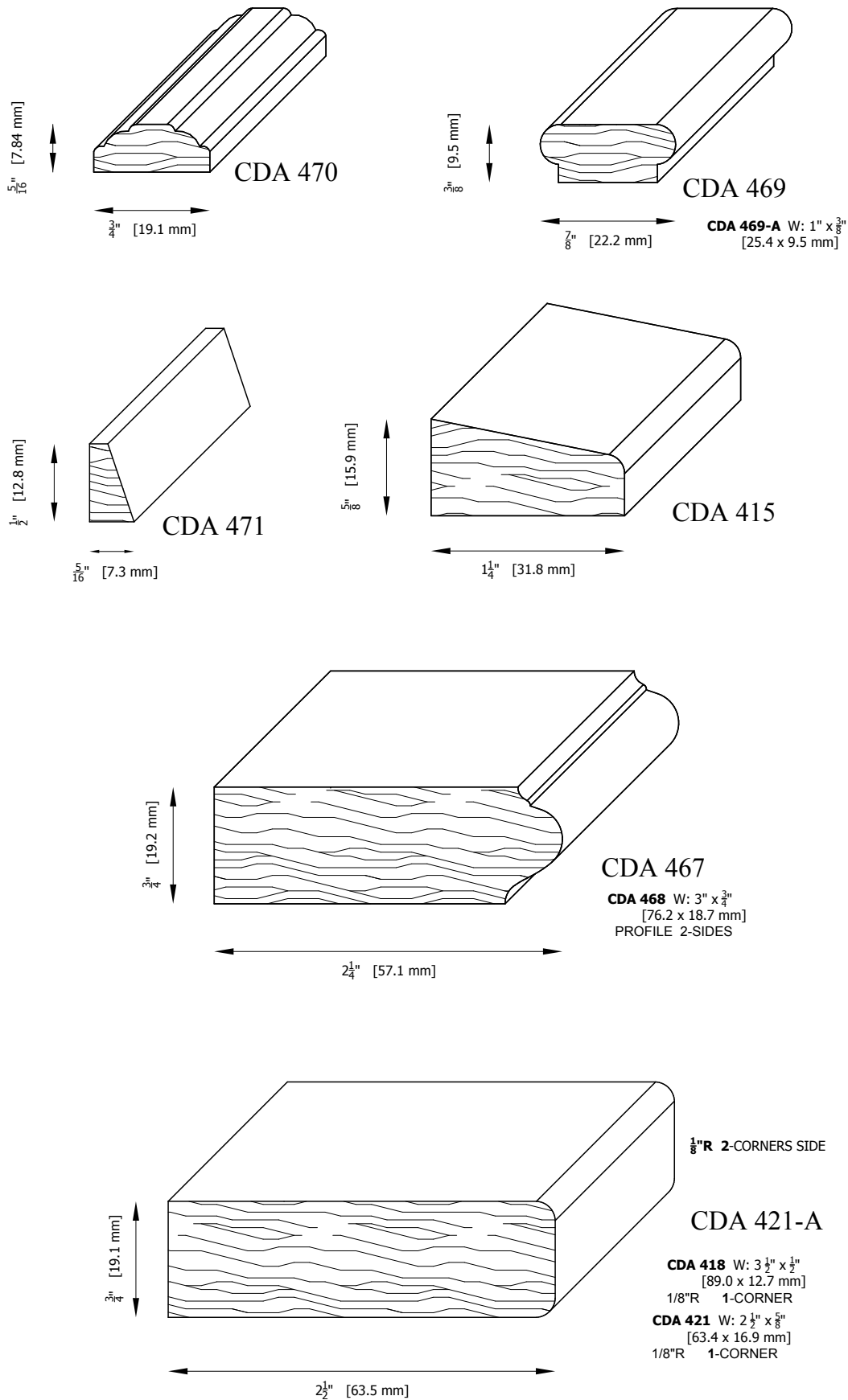
CHATEAU CAPS MOULDING PATTERNS



CHATEAU CAPS MOULDING PATTERNS



CHATEAU CAPS MOULDING PATTERNS



CHATEAU CAPS MOULDING PATTERNS

